



LA-SP7

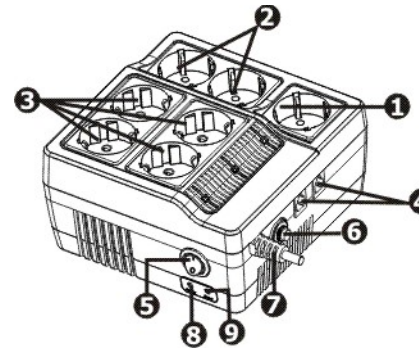
Surge Protector



1. Introduction

Thank you for purchasing Lapara product. This item is designed to provide surge protection and power extender for connected devices. With its master-controlled design, the unit provides energy saving by shutting down unused peripherals. The master outlet is designed to sense current drawn by connected equipment, usually a computer. When the computer is shut down, it will shut off power to slave outlets which connect all PC peripherals.

2. Product Overview



- ❶ Master output receptacle (for connecting a computer)
- ❷ Uncontrolled output receptacles (for connecting peripherals)
- ❸ Slave output receptacles (for connecting peripherals)
- ❹ Modem/phone line surge protection
- ❺ Function switch
- ❻ Circuit breaker
- ❼ AC input
- ❽ Power LED
- ❾ Master/Slave Function LED

Wall Mount the Unit

The unit can be mounted to a wall surface. Please follow below steps:

1. Use tape to hold this page in place against the wall.
2. Use a sharp nail to puncture the center of the two holes to mark the wall. (see below chart 1)
3. Mount the unit by positioning the key-hole slots over the mounting nails. (see chart 2)

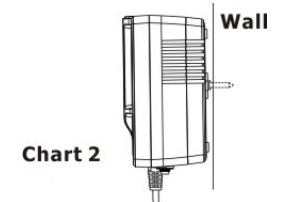
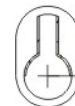


Chart 1



128 mm



3. Installation and Operation

Inspection

Remove the unit from the shipping package and inspect it for damage that may occurred during transportation. Notify the carrier and place of purchase if any damage is found.

Connect to the Wall Outlet

Plug the input power cord of the unit to the wall outlet. The Power LED will light up when the mains is normal. The Power LED will be off while power failure.

Connect Equipment

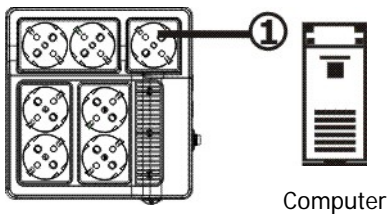
There are three types of output receptacles: Master, Slave, and Uncontrolled.

Master/Slave Output Receptacles

To save power consumption, the unit is equipped with Master and Slave output receptacles. The Master output receptacle will sense if master device (computer) is on. If the master device is no longer drawing current, it will automatically shut down the power to the Slave output receptacles. Please refer to below charts for detailed equipment connection.

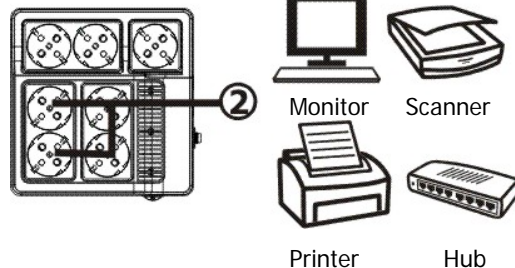
Note: Do not connect devices to the slave output receptacles if you want them to continue running when your computer is off.

Plug Computer into Master Output Receptacles



Computer

Plug Peripherals into Slave Output Receptacles



Printer Hub

NOTE: When the computer is turned off, the Master output receptacle shuts off power to the slave output receptacles. However, when the computer goes into "sleep mode" or the power consumption of connected device to Master output receptacle is below 20 W, the Master output receptacle may not properly recognize the reduced power level.

Uncontrolled Output Receptacles

Equipment connected to uncontrolled output receptacles will continue running when the unit is powered on and utility is normal even though Master device is shut down.

After connecting all devices to the unit, press "Function switch" to enable master/slave function. The Function LED will light up. Press "Function switch" to disable the function and the Function LED will be off.

Status	Indicator
Utility is normal	Power LED (Green) on
Utility fails	Power LED (Green) off
Master/Slave function is enabled	Master/Slave Function LED (Yellow) on
Master/Slave function is disabled	Master/Slave Function LED (Yellow) off

Connect Modem/Phone for Surge Protection

Connect a single modem/phone line into surge-protected "IN" outlet on the unit. Connect from "OUT" outlet to the computer with phone line cable.

Placement & Storage Conditions

Install the unit in a protected area that is free of excessive dust and has adequate air flow. Please place the unit away from other units at least 2.5cm to avoid interference. Do NOT block the top or side air vents on the unit.



Do not operation the unit in an environment where the ambient temperature or humidity is outside the limits listed in the specifications. Operate the unit in an environment free of excessive dust, mechanical vibration, inflammable gases and explosive or corrosive atmospheres.

4. Important Safety Warning (SAVE THESE INSTRUCTIONS)

To safely operate this voltage regulator, please read and follow all instructions carefully. Read this manual thoroughly before attempting to unpack, install, or operate. You may keep this quick guide for further reference.

CAUTION: The unit is designed only for use under the 50 Hz input frequency and pure sine wave environment. Any other input frequency or wave form will effect the voltage range and load capability.

CAUTION: Please DO NOT connect the unit to the environment with direct voltage or simulated sine wave.

CAUTION! To prevent the risk of fire or electric shock, install in a temperature and humidity controlled indoor area free of conductive contaminants. (See the specifications for the acceptable temperature and humidity range.)